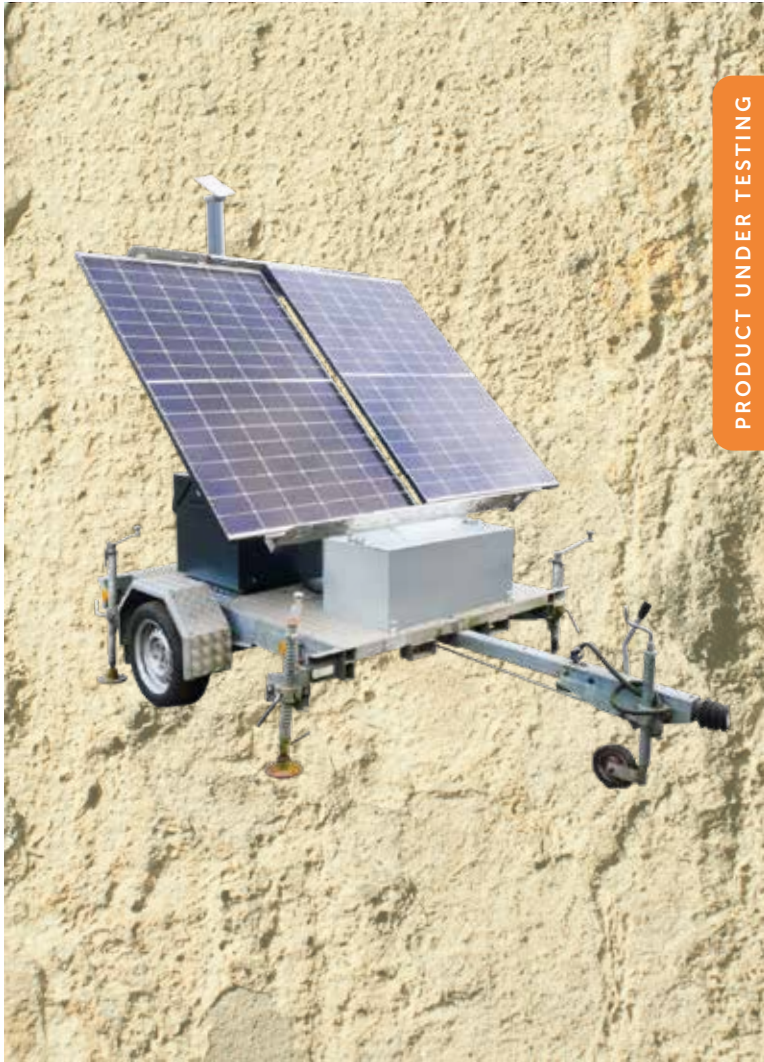


SOLAR POWERED WIFI TOWER

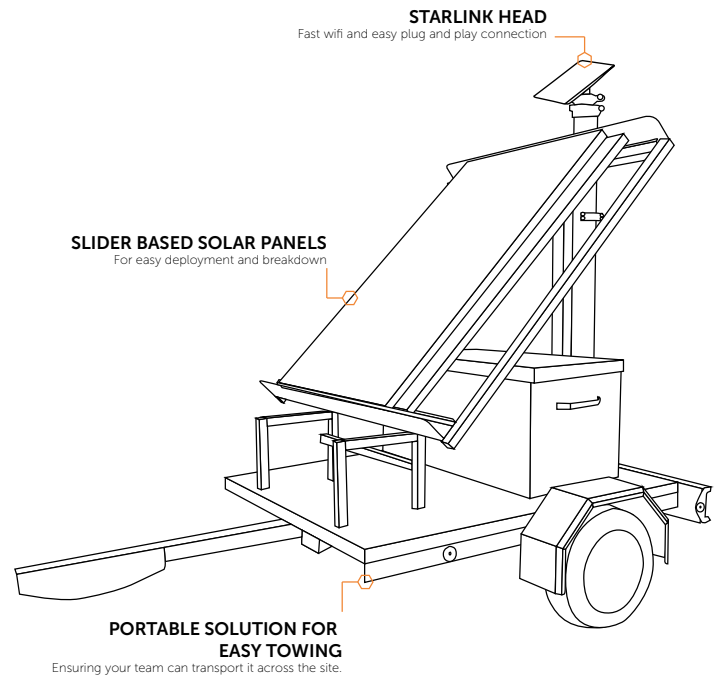


WWW.M-VIS.CO.UK / SALES@M-VIS.CO.UK / 01629 580570



PRODUCT UNDER TESTING

HIGH SPEED CONNECTIVITY FOR REMOTE SITES



WIFI

The MVIS WiFi Tower, powered by Starlink delivers high-speed, low-latency internet connectivity to remote quarry sites and UK dead zones where traditional broadband and mobile signals fail. Designed for demanding environments, it enables reliable communication, live CCTV, remote monitoring, welfare connectivity, and uninterrupted site operations almost anywhere in the country.

POWER

Filled with 4 x 12V batteries wired into a 24V system, these batteries are able to supply 320amps of power.

Whilst being fully solar powered thanks to the solar panels attached to the front.

These panels can be stored for easy transport and work on a slider system so deployment is easy.

IDEAL FOR:



QUARRIES



HIGHWAYS



FESTIVALS



MUCH MORE

The MVIS WiFi Tower is designed to solve connectivity issues across remote UK sites, quarries, and dead zones by delivering high-speed, low-latency internet where traditional broadband and mobile networks cannot reach.

Built as a durable, plug-and-play portable solution powered by solar technology and Starlink satellite internet, it supports CCTV, remote monitoring, welfare units, and critical site operations wherever they are needed.

MVIS Units 6-8, Brookfield Way, Brookfield Industrial Estate, Tansley, Matlock, Derbyshire. DE4 5ND

Version 001 | May 2026

VIEW OUR FULL SOLUTION SUITE

